



# NCB-H High-Efficiency Condensing Combination Boiler

## Submittal Sheet

- Model NCB-190/060H (60,000 Btu/hr. space heating and 160,000 Btu/hr. DHW)**
- Model NCB-190/080H (80,000 Btu/hr. space heating and 160,000 Btu/hr. DHW)**
- Model NCB-240/110H (110,000 Btu/hr. space heating and 199,900 Btu/hr. DHW)**
- Model NCB-240/130H (130,000 Btu/hr. space heating and 199,900 Btu/hr. DHW)**
- Model NCB-250/150H (150,000 Btu/hr. space heating and 210,000 Btu/hr. DHW)**

**Job Name:** \_\_\_\_\_

**Location:** \_\_\_\_\_

**Engineer:** \_\_\_\_\_

**Wholesaler:** \_\_\_\_\_

**Sales Rep:** \_\_\_\_\_

**Contractor:** \_\_\_\_\_

**Model:** \_\_\_\_\_ **Gas Type (NG/LP):** \_\_\_\_\_

**Notes:** \_\_\_\_\_

### Boiler Standard Features

- SS Dual Heat Exchangers
- Cold-rolled Carbon Steel Casing
- 95% AFUE
- DHW 15:1 TDR
- Heating up to 11:1 TDR
- 30 PSI ASME Relief Valve
- Direct Spark Ignition
- Variable Speed Blower
- Dual Venturi Mixing System
- Negative Pressure Gas Valve
- Cascaded with up to 15 NPEs
- Common Vented with up to 7 NPEs
- Wall Mounting Bracket
- High Altitude NG and LPG Conversion Kits
- Outlet & Inlet Temp Sensors
- Outdoor Temperature Sensor
- Flue gas Temperature Sensor
- Condensate Trap
- Mixing and Water Adjustment Valves

### Boiler Optional Accessories

- SS Primary Manifold Kit
- Condensate Neutralizer Kit
- Zone Controller
- Universal Temperature Sensor
- NaviLink Control System
- Ready-Link Racking System
- NaviClean Magnetic Filter
- NaviCirc for Recirculation
- HotButton and Wall Plate

### Venting

- Direct Exhaust Sidewall or Roof Vent
- Direct Exhaust Inside Air Venting
- 2" PVC, CPVC, PP, SS up to 65 ft.
- 3" PVC, CPVC, PP, SS up to 150 ft.
- Vent Termination Caps
- Wall Flanges

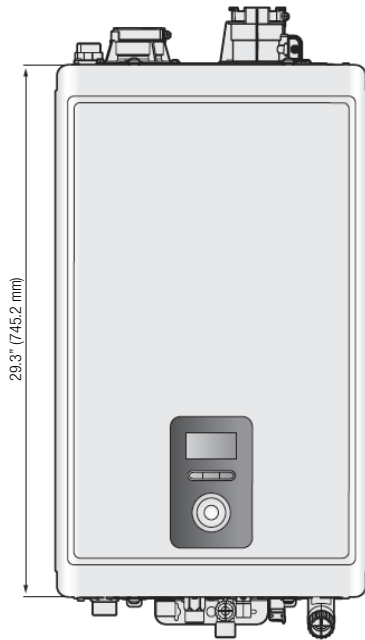
### Controls

- Smart Controls with LCD Display, Quick Dial Wheel and Setup Wizard
- Built-in 3 zone pumps and 3 zone valves powered connections
- Manual Reset LWCO
- Manual Reset High Limit
- Freeze Protection
- Outdoor Reset
- Warm Weather Shutdown
- Air Handler Interface
- 4 Circulator Outputs
- NaviLink Mobile Application

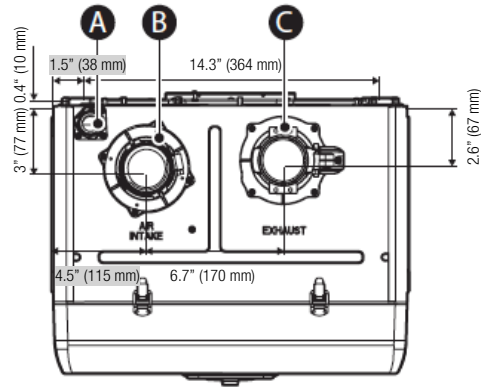
### Warranties

- 10 yrs. Residential HX Warranty
- 5 yrs. Residential Parts Warranty
- 1 yr. Labor Warranty

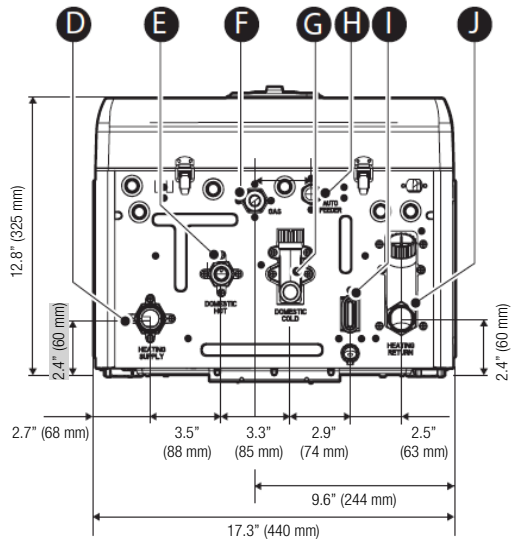
## 2 | NCB-H High-Efficiency Condensing Combination Boiler—Submittal Sheet



### Overhead View



### Supply Connections



### Supply Connections

Description	Diameter
A Pressure Relief Valve Adapter	3/4 in
B Air Intake	2 in
C Exhaust Gas Vent	2 in
D Heating Supply	1 in
E Domestic Hot	3/4 in
F Gas Connection	3/4 in
G Domestic Cold	3/4 in
H Auto Feeder Inlet (Make-up Water)	1/2 in
I Condensate Outlet	1/2 in
J Heating Return	1 in

Navien Combination Boiler Domestic Hot Water Ratings			Other Specifications				
Model Number	Heating Input (BTU/H)		Water Pressure 15-150 PSI	Minimum Flow Rate 0.5 GPM (1.9 L/m)	Flow Rate 77°F (43°C) Temp Rise 3.7 GPM (14.0 L/m) 4.7 GPM (17.8 L/m) 4.9 GPM (18.5 L/m)	DHW Supply Connection Size 3/4" NPT	DHW Return Connection Size 3/4" NPT
	Min	Max					
NCB-190/060H	10,700	160,000					
NCB-190/080H	10,700	160,000					
NCB-240/110H	13,300	199,900					
NCB-240/130H	13,300	199,900					
NCB-250/150H	14,000	210,000					

Navien Condensing Boiler Space Heating Ratings			Other Specifications								
Model Number	Heating Input (BTU/H)		Heating Capacity (MBH)	Net AHRI Rating Water (MBH)	AFUE (%)	Water Pressure 12 - 30 psi	Water Connection Size (Supply, Return) 1" NPT	Water Volume 1.5 gallons			
	Min	Max									
NCB-190/060H	11	60							56	49	95.0
NCB-190/080H	11	80							74	64	95.0
NCB-240/110H	13	110							102	89	95.0
NCB-240/130H	13	130	120	104	95.0						
NCB-250/150H	14	150	138	120	95.0						